

Copyright

This documentation and the software included with this product are copyrighted 1999 by Advantech Co., Ltd. All rights are reserved. Advantech Co., Ltd. reserves the right to make improvements in the products described in this manual at any time without notice.

No part of this manual may be reproduced, copied, translated or transmitted in any form or by any means without the prior written permission of Advantech Co., Ltd. Information provided in this manual is intended to be accurate and reliable. However, Advantech Co., Ltd. assumes no responsibility for its use, nor for any infringements of the rights of third parties which may result from its use.

Acknowledgments

PC-LabCard is a trademark of Advantech Co., Ltd. IBM and PC are trademarks of International Business Machines Corporation. MS-DOS, Windows, Microsoft Visual C++ and Visual BASIC are trademarks of Microsoft Corporation. Intel and Pentium are trademarks of Intel Corporation. Delphi and C++Builder are trademarks of Inprise Corporation.

CE notification

The PCI-1711/1731, developed by ADVANTECH CO., LTD., has passed the CE test for environmental specifications when shielded cables are used for external wiring. We recommend the use of shielded cables. This kind of cable is available from Advantech.

Please contact your local supplier for ordering information.

On-line Technical Support

For technical support and service, please visit our support website at:

<http://support.advantech.com>

Part No. 2003171100 1st Edition

Printed in Taiwan October 1999

Contents

1. Introduction	1
1.1 Features	1
1.2 Installation Guide	3
1.3 Software	5
1.4 Accessories	5
2. Installation	7
2.1 Unpacking	7
2.2 Driver Installation	8
2.3 Hardware Installation	9
2.4 Device Setup & Configuration	12
2.5 Device Testing	15
3. Signal Connections	19
3.1 Overview	19
3.2 I/O Connector	19
3.3 Analog Input Connections	22
3.4 Analog Output Connections	22
3.5 Trigger Source Connections	23
3.6 Field Wiring Considerations	24
4. Software Overview	25
4.1 Programming Choices	25
4.2 DLL Driver Programming Roadmap	27
5. Calibration	29
5.1 VR Assignment	29
5.2 A/D Calibration	30
5.3 D/A Calibration	30
5.4 Self A/D Calibration	31
Appendix A	
Specifications	33

Appendix B

Block Diagram	35
---------------------	----

Appendix C

Register Structure and Format	37
-------------------------------------	----

C.1 Overview	37
C.2 I/O Port Address Map	37
C.3 Channel Number and A/D Data — BASE+0 and BASE+1	42
C.4 Software A/D Trigger — BASE+0	42
C.5 A/D Channel Range Setting — BASE+2	43
C.6 MUX Control — BASE+4 and BASE+5	44
C.7 Status Register — BASE+6 and BASE+7	45
C.8 Control Register — BASE+6	46
C.9 Clear Interrupt and FIFO — BASE+8 and BASE+9	47
C.10 D/A Output Channel 0 — BASE+10 and BASE+11	47
C.11 D/A Output Channel 1 — BASE+12 and BASE+13	48
C.12 D/A Reference Control — BASE+14	49
C.13 Digital I/O Registers — BASE+16 and BASE+17	50
C.14 Programmable Timer/Counter Registers BASE+24, BASE+26, BASE+28 and BASE+30	50

Appendix D

82C54 Counter Function	51
------------------------------	----

D.1 The Intel 82C54	51
D.2 Counter Read/Write and Control Registers	51
D.3 Counter Operating Modes	53
D.4 Counter Operations	55

1. Introduction

Thank you for buying the Advantech PCI-1711/1731 PCI card. The Advantech PCI-1711/1731 is a powerful data acquisition (DAS) card for the PCI bus. It features a unique circuit design and complete functions for data acquisition and control. PCI-1711/1731 provides specific functions for different user requirements:

PCI-1711 12-bit Low-cost Multifunction DAS card

PCI-1731 12-bit Low-cost Multifunction DAS card w/o analog output

The following sections of this chapter will provide further information about features of the DAS cards, a Quick Start for installation, together with some brief information on software and accessories for the PCI-1711/1731 card.

1.1 Features

The Advantech PCI-1711/1731 provides users with the most requested measurement and control functions as seen below:

- 16-channel Single-Ended A/D Input
- 12-bit A/D conversion with up to 100 kHz sampling rate
- 16-channel Digital Input
- 16-channel Digital Output
- 2-channel D/A Output (only for PCI-1711)
- Programmable Counter/Timer
- Automatic Channel/Gain Scanning

The Advantech PCI-1711/1731 offers the following main features:

Plug-and-Play Function

The Advantech PCI-1711/1731 is a Plug-and-Play device, which fully complies with the PCI Specification Rev 2.1. During card installation, all bus-related configurations such as base I/O address and interrupts are conveniently taken care of by the Plug-and-Play function. You have virtually no need to set any jumpers or DIP switches.

Flexible Input Types and Range Settings

The PCI-1711/1731 features an automatic channel/gain scanning circuit. This circuit design controls multiplexer switching during sampling. Users can set different gain values for each channel

according to their needs for the corresponding range of input voltage. The gain value settings thus selected is stored in the SRAM. This flexible design enables multi-channel and high-speed sampling for high-performance data acquisition (up to 100 KS/s.)

On-board FIFO(First-In-First-Out) Memory

The PCI-1711/1731 provides an on-board FIFO memory buffer, storing up to 1 to 1K A/D samples. Users can either enable or disable the interrupt request feature of the FIFO buffer. While the interrupt request for FIFO is enabled, users are allowed to specify whether an interrupt request will be sent with each sampling action or only when the FIFO buffer is half saturated. This useful feature enables a continuous high-speed data transfer with a more predictable performance on operating systems.

Optional D/A Output for Cost Savings

The PCI-1711 goes further with 2 analog output channels, while the PCI-1731 doesn't. It is for users to differentiate between the PCI-1711 and the PCI-1731 according to what they really need as the best solution with no extra cost.

16 Digital Inputs and 16 Digital Outputs

The PCI-1711/1731 provides 16 digital input channels and 16 digital output channels. Users are left with great flexibility to design and customize their applications according to their specific needs.

On-board Programmable Counter

The PCI-1711/1731 is equipped with a programmable counter, which can serve as a pacer trigger for A/D conversions. The counter chip is an 82C54 or its equivalent, which incorporates three 16-bit counters on a 10 MHz clock. One of the three counters is used as an event counter for input channels or pulse generation. The other two are cascaded into a 32-bit timer for pacer triggering.

Note:

- ✎ Pace trigger determines how fast A/D conversion will be done in pacer trigger mode.
 - ✎ For detailed specifications of the PCI-1711/1731, please refer to *Appendix A, Specifications*.
-

1.2 Installation Guide

Before you install your PCI-1711/1731 card, please make sure you have the following necessary components:

- PCI-1711 or PCI-1731 DAS card**
- PCI-1711/1731 User's Manual**
- Driver software** Advantech DLL drivers
 (included in the companion CD-ROM)
- Wiring cable** PCL-10168
- Wiring board** PCLD-8710, ADAM-3968
- Computer** Personal computer or workstation with a
 PCI-bus slot (running Windows 95/98/NT)

Some other optional components are also available for enhanced operation:

- Application software** ActiveDAQ, GeniDAQ or other third-party
 software packages

After you have got the necessary components and maybe some accessories for enhanced operation of your DAS card, you can then begin the Installation procedures. Figure 1-1 on the next page provides a concise flow chart to give users a broad picture of the software and hardware installation procedures:

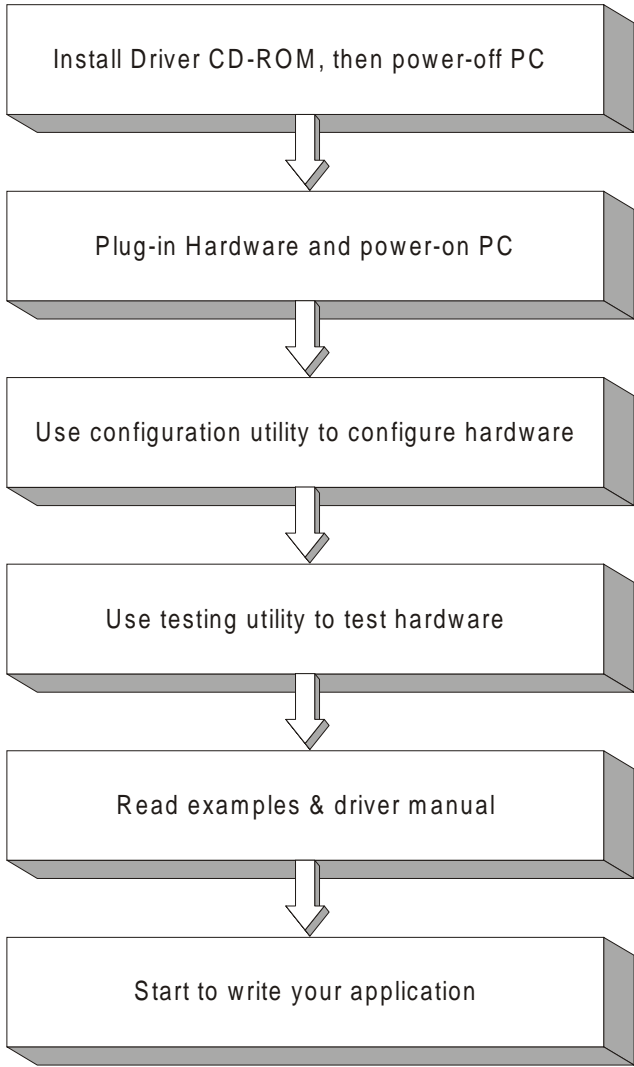


Fig. 1-1 Installation Flow Chart

1.3 Software

Advantech offers a rich set of DLL drivers, third-party driver support and application software to help fully exploit the functions of your PCI-1711/1731 card:

- DLL driver (on the companion CD-ROM)
- Labview driver
- Advantech ActiveDAQ
- Advantech GeniDAQ

For more information on software, please refer to *Chapter 4, Software Overview*.

Users who intend to program directly at the registers of the DAS device can have *register-level programming* as an option. Since *register-level programming* is often difficult and laborious, it is usually recommended only for experienced programmers. For more information, please refer to *Appendix C, Register Structure and Format*.

1.4 Accessories

Advantech offers a complete set of accessory products to support the PCI-1711/1731 cards. These accessories include:

Wiring Cable

- **PCL-10168** The PCL-10168 shielded cable is specially designed for PCI-1711/1731 cards to provide high resistance to noise. To achieve a better signal quality, the signal wires are twisted in such a way as to form a “twisted-pair cable”, reducing crosstalk and noise from other signal sources. Furthermore, its analog and digital lines are separately sheathed and shielded to neutralize EMI/EMC problems.

Wiring Boards

- **ADAM-3968** The ADAM-3968 is a 68-pin SCSI wiring terminal module for DIN-rail mounting. This terminal module can be readily connected to the Advantech PC-Lab cards and allow easy yet reliable access to individual pin connections for the PCI-1711/1731 card.

□ **PCLD-8710** The PCLD-8710 is a DIN-rail mounting screw-terminal board to be used with any of the PC-LabCards which have 68-pin SCSI connectors. The PCLD-8710 features the following functions:

- 2 additional 20-pin flat-cable connectors for digital input and output
- Reserved space on the board to meet future needs for signal-conditioning circuits (low-pass filter, voltage attenuator and current shunt)
- Industrial-grade screw-clamp terminal blocks for heavy-duty and reliable connections.

2. Installation

This chapter gives users a package item checklist, proper instructions about unpacking and step-by-step procedures for both driver and card installation.

2.1 Unpacking

After receiving your PCI-1711/1731 package, please inspect its contents first. The package should contain the following items:

- ☑ PCI-1711/1731 card
- ☑ Companion CD-ROM (DLL driver included)
- ☑ User's Manual
- ☑ Quick Start



The PCI-1711/1731 card harbors certain electronic components vulnerable to *electrostatic discharge* (ESD). ESD could easily damage the integrated circuits and certain components if preventive measures are not carefully paid attention to. ***Before removing the card from the antistatic plastic bag, you should take following precautions to ward off possible ESD damage:***

- Touch the metal part of your computer chassis with your hand to discharge static electricity accumulated on your body. Or one can also use a grounding strap.
- Touch the antistatic bag to a metal part of your computer chassis before opening the bag.
- Take hold of the card only by the metal bracket when removing it out of the bag.

After taking out the card, first you should:

- Inspect the card for any possible signs of external damage (loose or damaged components, etc.). If the card is visibly damaged, please notify our service department or our local sales representative immediately. Avoid installing a damaged card into your system.

Also pay extra caution to the following aspects to ensure proper installation:

-  Avoid physical contact with materials that could hold static electricity such as plastic, vinyl and Styrofoam.
-  Whenever you handle the card, grasp it only by its edges. **DO NOT TOUCH** the exposed metal pins of the connector or the electronic components.

Note:

- ⌘ Keep the antistatic bag for future use. You might need the original bag to store the card if you have to remove the card from PC or transport it elsewhere.
-

2.2 Driver Installation

We recommend you to install the driver before you install the PCI-1711/1731 card into your system, since this will guarantee a smooth installation process.

The 32-bit DLL driver Setup program for the PCI-1711/1731 card is included on the companion CD-ROM that is shipped with your DAS card package. Please follow the steps below to install the driver software:

Step 1: Insert the companion CD-ROM into your CD-ROM drive.

Step 2: The Setup program will be launched automatically if you have the autoplay function enabled on your system. When the Setup Program is launched, you'll see the following Setup Screen.

Note:

- ⌘ If the autoplay function is not enabled on your computer, use Windows Explorer or Windows *Run* command to execute SETUP.EXE on the companion CD-ROM.
-



Fig. 2-1 The Setup Screen of Advantech Automation Software

Step 3: Select the *DLL Drivers* option.

Step 4: Select the *Windows 95/98* or *Windows NT* option according to your operating system. Just follow the installation instructions step by step to complete your DLL driver setup.

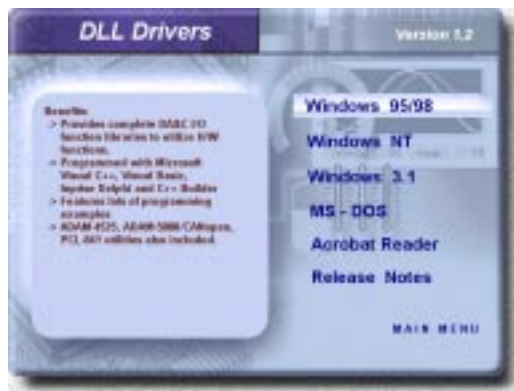


Fig. 2-2 Different options for Driver Setup

For further information on driver-related issues, an online version of *DLL Drivers Manual* is available by accessing the following path:

Start/Programs/Advantech Driver for 95 and 98 (or for NT)/Driver Manual

2.3 Hardware Installation

Note:

- ⚡ Make sure you have installed the driver first before you install the card (please refer to 2.2 *Driver Installation*)
-

After the DLL driver installation is completed, you can now go on to install the PCI-1711/1731 card in any PCI slot on your computer. But it is suggested that you should refer to the computer user manual or related documentations if you have any doubt. Please follow the steps below to install the card on your system.

Step 1: Turn off your computer and unplug the power cord and cables.

⚡ **TURN OFF** your computer before installing or removing any components on the computer.

Step 2: Remove the cover of your computer.

Step 3: Remove the slot cover on the back panel of your computer.

Step 4: Touch the metal part on the surface of your computer to neutralize the static electricity that might be on your body.

Step 5: Insert the PCI-1711/1731 card into a PCI slot. Hold the card only by its edges and carefully align it with the slot. Insert the card firmly into place. Use of excessive force must be avoided, otherwise the card might be damaged.

Step 6: Fasten the bracket of the PCI card on the back panel rail of the computer with screws.

Step 7: Connect appropriate accessories (68-pin cable, wiring terminals, etc. if necessary) to the PCI card.

Step 8: Replace the cover of your computer chassis. Re-connect the cables you removed in step 2.

Step 9: Plug in the power cord and turn on the computer .

Note:

- ⚠ In case you installed the card without installing the DLL driver first, Windows 95/98 will recognize your card as an “unknown device” after reboot, and will prompt you to provide necessary driver. You should ignore the prompting messages (just click the **Cancel** button) and set up the driver according to the steps described in 2.2 *Driver Installation*.
-

After the PCI-1711/1731 card is installed, you can verify whether it is properly installed on your system in the *Device Manager*:

1. Access the *Device Manager* through *Control Panel/System/Device Manager*.
2. The *device name* of the PCI-1711/1731 should be listed on the *Device Manager* tab on the *System Property* Page.

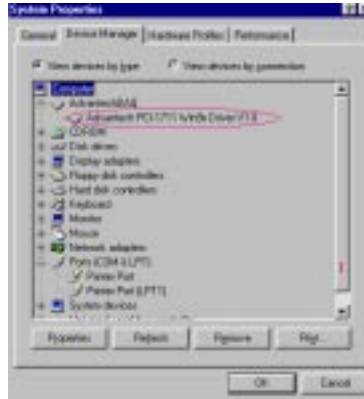


Fig. 2-3 The device name listed on the Device Manager

Note:

- ⚠ If your card is properly installed, you should see the *device name* of your card listed on the *Device Manager* tab. **If you do see your device name listed on it but marked with an exclamation sign “!” (Fig. 2-4), it means your card has not been correctly installed.** In this case, remove the card device from the *Device Manager* by selecting its device name and press the **Remove** button. Then go through the driver installation process again.
-

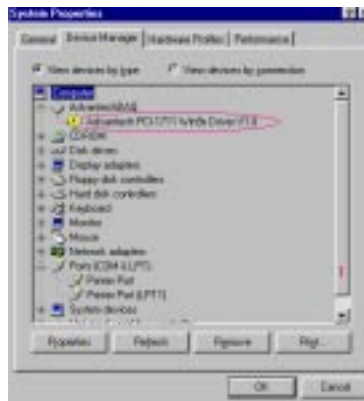


Fig. 2-4 The “exclamation mark” (!) on the device name indicating improper installation of the card

After your card is properly installed on your system, you can now configure your device using the *Device Installation* Program that has itself already been installed on your system during driver setup. A complete device installation procedure should include *device setup*, *configuration* and *testing*. The following sections will guide you through the Setup, Configuration and Testing of your device.

2.4 Device Setup & Configuration

The *Device Installation* program is a utility that allows you to set up, configure and test your device, and later stores your settings on the system registry. These settings will be used when you call the APIs of Advantech 32-bit DLL drivers.

Setting Up the Device

Step 1: To install the I/O device for your card, you must first run the *Device Installation* program (by accessing *Start/Programs/Advantech Driver for 95 and 98 (or for NT)/Device Installation*).

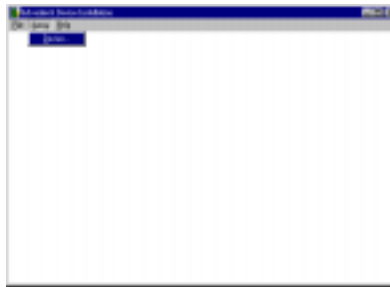


Fig. 2-5 The Advantech Device Installation utility program

Step 2: On the *Device Installation* program window, select the *Setup* menu item on the menu bar, and click the *Device* command (Fig. 2-5) to bring up the *I/O Device Installation* dialog box (Fig. 2-6). You can then view the device(s) already installed on your system (if any) on the *Installed Devices* list box. Since you haven't installed any device yet, you might see a blank list such as below (Fig. 2-6).

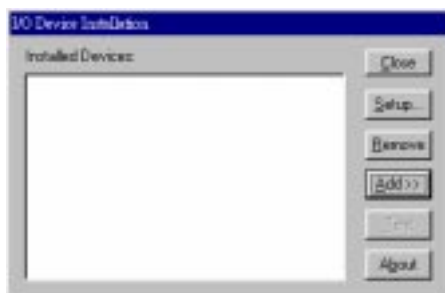


Fig. 2-6 The I/O Device Installation dialog box

Step 3: Click the *Add>>* button and a *List of Devices* box will appear right below the original *Installed Devices* box (Fig. 2-7).



Fig. 2-7 Selecting the device you want to install

Step 4: Scroll down the *List of Devices* box to find the device that you wish to install, then click the **Install** button to evoke the *Device(s) Found* dialog box such as one shown in Fig. 2-8. The *Device(s) Found* dialog box lists all the installed devices on your system. Select the device you want to configure from the list box and press the **OK** button. After you have clicked **OK**, you will see a *Device Setting* dialog box such as the one in Fig. 2-9.

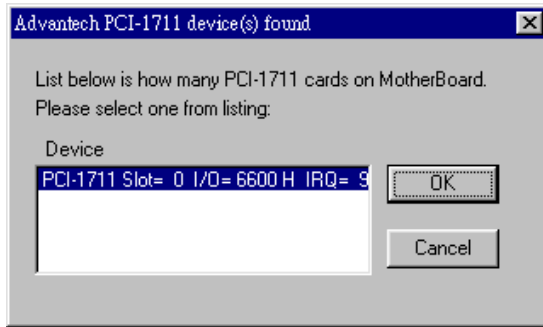


Fig. 2-8 The “Device(s) Found” dialog box

Configuring the Device

Step 5: On the *Device Setting* dialog box (Fig. 2-9), you can configure the voltage source either as *External* or *Internal*, and specify the voltage output range for the 2 D/A channels.

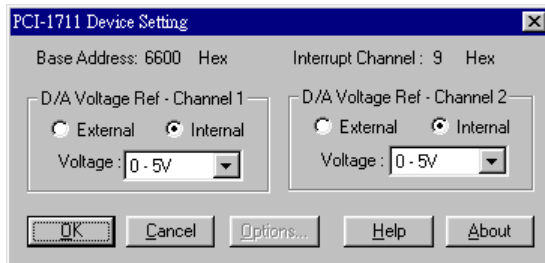


Fig. 2-9 The Device Setting dialog box

Note:

- Users can configure the source of D/A reference voltage either as *Internal* or *External*, and select the output voltage range. When selecting voltage source as *Internal*, users have two options for the output voltage range : **0 ~ 5V** and **0 ~ 10V**.
When selected as *External*, the output voltage range is determined by the external reference voltage in the following way :
By inputting an external reference voltage: -xV, where |x| <= 10, you will get a output voltage range: 0 to xV.
-

Step 6: After you have finished configuring the device, click **OK** and the *device name* will appear in the *Installed Devices* box as seen below:



Fig. 2-10 The Device Name appearing on the list of devices box

Note:

- As we have noted, the *device name* “000:PCI-1711 I/O=6500H” begins with a *device number* “000”, which is specifically assigned to each card cifically. The *device number* is passed to the driver to specify which device you wish to control.

If you want to test the card device further, go right to the next section on the *Device Testing*.

2.5 Device Testing

Following through the *Setup* and *Configuration* procedures to the last step described in the previous section, you can now proceed to test the device by clicking the **Test** Button on the *I/O Device Installation* dialog box (Fig. 2-10). A *Device Test* dialog box will appear accordingly:



Fig. 2-11 Analog Input tab on the Device Test dialog box

On the *Device Test* dialog box, users are free to test various functions of PCI-1711/1731 on the *Analog input*, *Analog output*, *Digital input*, *Digital output* or *Counter* tabs.

Note:

⚡ You can access the *Device Test* dialog box either by the previous procedure for the Device Installation Program or simply by accessing *Start/Programs/Advantech Driver for 95 and 98 (or for NT) /Test Utility*.

Testing Analog Input Function

Click the *Analog Input* tab to bring it up to front of the screen. Select the input range for each channel in the *Input range* drop-down boxes. Configure the sampling rate on the scroll bar. Switch the channels by using the up/down arrow.



Fig. 2-12 Analog Input tab on the Device Test dialog box

Testing Analog Output Function (only for PCI-1711)

Click the *Analog Output* tab to bring it up to the foreground. The *Analog Output* tab allows you to output quasi-sine, triangle, or square waveforms generated by the software automatically, or output single values manually. You can also configure the waveform frequency and output voltage range.



Fig. 2-13 Analog Output tab on the Device Test dialog box

Testing Digital Input Function

Click the *Digital Input* tab to show forth the *Digital Input* test panel as seen below. Through the color of the lamps, users can easily discern whether the status of each digital input channel is either high or low.



Fig. 2-14 Digital Input tab on the Device Test dialog box

Testing Digital Output Function

Click the *Digital Output* tab to bring up the *Digital Output* test panel such as seen on the next page. By pressing the buttons on each tab, users can easily set each digital output channel as *high* or *low* for the corresponding port.



Fig. 2-15 Digital Output tab on the Device Test dialog box

Testing Counter Function

Click the *Counter* Tab to bring its test panel forth. The counter channel (*Channel 0*) offers the users two options: *Event counting* and *Pulse out*. If you select *Event counting*, you need first to connect your clock source to pin CNT0_CLK, and the counter will start counting after the pin CNT0_GATE is triggered. If you select *Pulse Out*, the clock source will be output to pin CNT0_OUT. You can configure the *Pulse Frequency* by the scroll bar right below it.



Fig. 2-16 Digital output tab on the Device Test dialog box

Only after your card device is properly set up, configured and tested, can the device installation procedure be counted as complete. After the device installation procedure is completed, you can now safely proceed to the next chapter, *Signal Connections*.

3. Signal Connections

3.1 Overview

Maintaining signal connections is one of the most important factors in ensuring that your application system is sending and receiving data correctly. A good signal connection can avoid unnecessary and costly damage to your PC and other hardware devices. This chapter provides useful information about how to connect input and output signals to the PCI-1711/1731 via the I/O connector.

3.2 I/O Connector

The I/O connector on the PCI-1711/1731 is a 68-pin connector that enable you to connect to accessories with the PCL-10168 shielded cable.

Note:

- ✎ The PCL-10168 shielded cable is especially designed for the PCI-1711/1731 to reduce noise in the analog signal lines. Please refer to *Section 1.4 Accessories*.
-

Pin Assignment

Figure 3-1 shows the pin assignments for the 68-pin I/O connector on the PCI-1711/1731.

Note:

- ✎ The three ground references AIGND, AOGND, and DGND should be used discreetly each according to its designated purpose.
-

AI0	68	34	AI1
AI2	67	33	AI3
AI4	66	32	AI5
AI6	65	31	AI7
AI8	64	30	AI9
AI10	63	29	AI11
AI12	62	28	AI13
AI14	61	27	AI15
AIGND	60	26	AIGND
DA0_REF	59	25	DA1_REF
DA0_OUT	58	24	DA1_OUT
AOGND	57	23	AOGND
DI0	56	22	DI1
DI2	55	21	DI3
DI4	54	20	DI5
DI6	53	19	DI7
DI8	52	18	DI9
DI10	51	17	DI11
DI12	50	16	DI13
DI14	49	15	DI15
DGND	48	14	DGND
DO0	47	13	DO1
DO2	46	12	DO3
DO4	45	11	DO5
DO6	44	10	DO7
DO8	43	9	DO9
DO10	42	8	DO11
DO12	41	7	DO13
DO14	40	6	DO15
DGND	39	5	DGND
CNT0_CLK	38	4	PACER_OUT
CNT0_OUT	37	3	TRG_GATE
CNT0_GATE	36	2	EXT_TRG
+12V	35	1	+5V

Fig. 3-1 I/O connector pin assignments for the PCI-1711/1731

*: Pins 23~ 25 and pins 57 ~ 59 are not defined for PCI-1731

I/O Connector Signal Description

Signal Name	Reference	Direction	Description
AI<0...15>	AIGND	Input	Analog Input Channels 0 through 15.
AIGND	-	-	Analog Input Ground.
DA0_REF DA1_REF	AOGND	Input	Analog Output Channel 0/1 External Reference.
DA0_OUT DA1_OUT	AOGND	Output	Analog Output Channels 0/1.
AOGND	-	-	Analog Output Ground. The analog output voltages are referenced to these nodes.
DI<0..15>	DGND	Input	Digital Input channels.
DO<0..15>	DGND	Output	Digital Output channels.
DGND	-	-	Digital Ground. This pin supplies the reference for the digital channels at the I/O connector as well as the +5VDC supply.
CNT0_CLK	DGND	Input	Counter 0 Clock Input. The clock input of counter 0 can be either external (up to 10 MHz) or internal (1 MHz), as set by software.
CNT0_OUT	DGND	Output	Counter 0 Output.
CNT0_GATE	DGND	Input	Counter 0 Gate Control.
PACER_OUT	DGND	Output	Pacer Clock Output. This pin pulses once for each pacer clock when turned on. If A/D conversion is in the pacer trigger mode, users can use this signal as a synchronous signal for other applications. A low-to-high edge triggers A/D conversion to start.
TRG_GATE	DGND	Input	A/D External Trigger Gate. When TRG_GATE is connected to +5 V, it will enable the external trigger signal to input. When TRG_GATE is connected to DGND, it will disable the external trigger signal to input.
EXT_TRG	DGND	Input	A/D External Trigger. This pin is external trigger signal input for the A/D conversion. A low-to-high edge triggers A/D conversion to start.
+12V	DGND	Output	+12 VDC Source.
+5V	DGND	Output	+5 VDC Source.

Table 3-1 I/O Connector Signal Description

3.3 Analog Input Connections

The PCI-1711/1731 supports 16 single-ended analog inputs. Each individual input channel is software-selected.

Single-ended Channel Connections

The single-ended input configuration has only one signal wire for each channel, and the *measured voltage* (V_m) is the voltage of the wire as referenced against the common ground.

A signal source without a local ground is also called a “floating source”. It is fairly simple to connect a single-ended channel to a floating signal source. In this mode, the PCI-1711/1731 provides a reference ground for external floating signal sources.

Figure 3-2 shows a single-ended channel connection between a floating signal source and an input channel on the PCI-1711/1731.

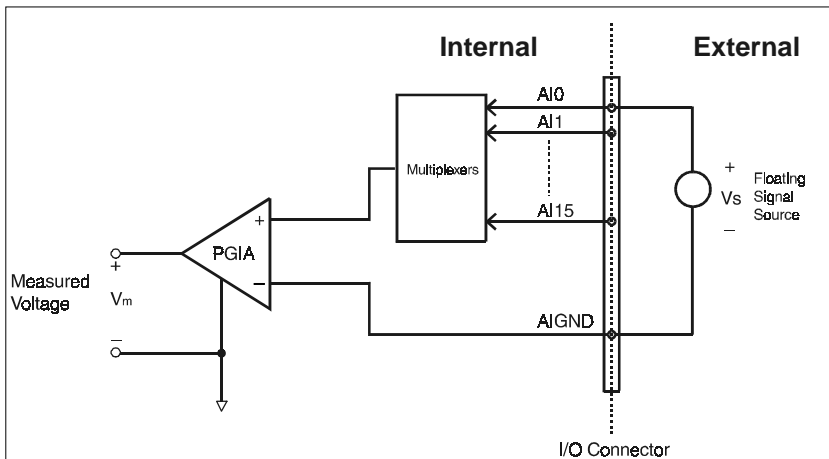


Fig. 3-2 Single-ended input channel connection

3.4 Analog Output Connections

The PCI-1711 provides two D/A output channels (PCI-1731 is not designed to have this function), **DA0_OUT** and **DA1_OUT**. Users may use the PCI-1711 internally-provided precision -5V (-10V) reference to generate 0 to $+5\text{V}$ ($+10\text{V}$) D/A output range. Users also may create D/A output range through external references, **DA0_REF** and **DA1_REF**. The maximum reference input range is $\pm 10\text{V}$. For example, connecting with an external reference of -7V will generate 0 to

+7 V D/A output.

Figure 3-3 shows how to make analog output and external reference input connections on the PCI-1711.

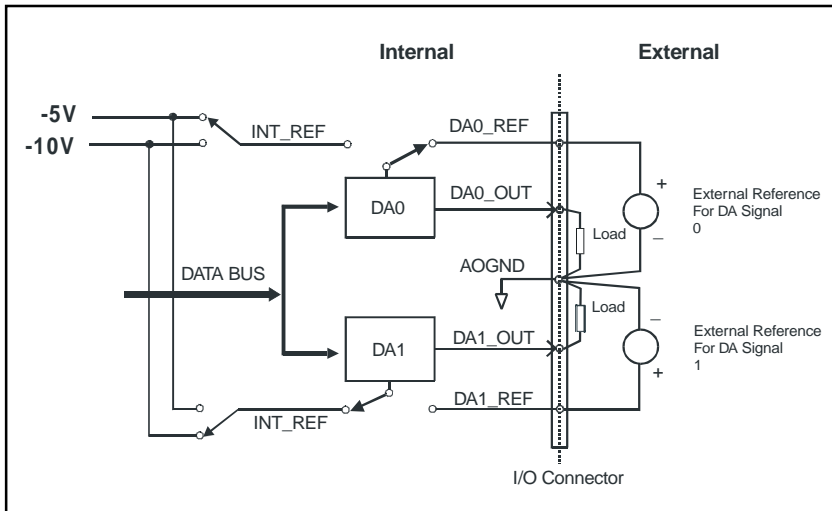


Fig. 3-3 Analog output connections

3.5 Trigger Source Connections

Internal Pacer Trigger Connection

The PCI-1711 includes one 82C54 compatible programmable timer/counter chip which provides three 16-bit counters connected to a 10 MHz clock, each designated specifically as *Counter 0*, *Counter 1* and *Counter 2*. *Counter 0* is a counter which counts events from an input channel or outputting pulse. *Counter 1* and *Counter 2* are cascaded to create a 32-bit timer for pacer triggering. A low-to-high edge from the Counter 2 output (**PACER_OUT**) will trigger an A/D conversion on the PCI-1711/1731. At the same time, you can also use this signal as a synchronous signal for other applications.

External Trigger Source Connection

In addition to pacer triggering, the PCI-1711/1731 also allows external triggering for A/D conversions. When a +5 V source is connected to **TRG_GATE**, the external trigger function is enabled. A low-to-high edge coming from **EXT_TRG** will trigger an A/D conversion on the

PCI-1711/1731. When **DGND** is connected to **TRG_GATE**, the external trigger function is thereby disabled.

3.6 Field Wiring Considerations

When you use the PCI-1711/1731 to acquire data from outside, noises in the environment might significantly affect the accuracy of your measurements if due cautions are not taken. The following measures will be helpful to reduce possible interference running signal wires between signal sources and the PCI-1711/1731.

- The signal cables must be kept away from strong electromagnetic sources such as power lines, large electric motors, circuit breakers or welding machines, since they may cause strong electromagnetic interference. Keep the analog signal cables away from any video monitor, since it can significantly affect a data acquisition system.
- If the cable travels through area with significant electromagnetic interference, you should adopt individually shielded, twisted-pair wires as the analog input cable. This type of cable have its signal wires twisted together and shielded with a metal mesh. The metal mesh should only be connected to one point at the signal source ground.
- Avoid running the signal cables through any conduit that might have power lines in it.
- If you have to place your signal cable parallel to a power line that has a high voltage or high current running through it, try to keep a safe distance between them. Or you should place the signal cable at right angle to the power line to minimize the undesirable effect.
- The signals transmitted on the cable will be directly affected by the quality of the cable. In order to ensure best signal quality, we recommend that you use the PCL-10168 shielded cable.

4. Software Overview

This chapter gives you an overview of the software programming choices available and a quick reference to examples of source codes that can help you be better oriented to programming. After following the instructions given in Chapter 2, it is hoped that you feel comfortable enough to proceed further.

Advantech offers users several options for programming DAS cards. You may use Advantech application software such as Advantech DLL driver, ActiveDAQ (OCX), GeniDAQ, or even other third-party driver. Advanced users are allowed another option for register-level programming, although not recommended due to its laborious and time-consuming nature.

4.1 Programming Choices

A simple diagram such as Figure 3-1 is helpful to illustrate the mutual relations among different layers of hardware, OS, drivers, and application softwares :

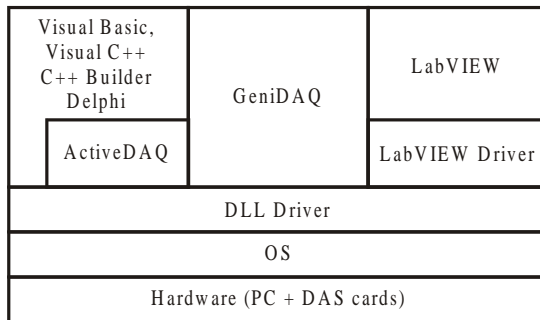


Fig. 4-1 Programming Choices

Each of the different programming choices are briefly summarized as follows:

DLL Driver

The Advantech DLL Drivers software is included on the companion CD-ROM at no extra charge. It also comes with all the Advantech DAS cards. Advantech's DLL driver features a complete I/O function library to help boost your application performance. The Advantech DLL

driver for Windows 95/98/NT works seamlessly with development tools such as Visual C++, Visual Basic, Inprise C++ Builder and Inprise Delphi.

Advantech ActiveDAQ

ActiveDAQ provides a collection of add-on ActiveX controls and function library to perform all data acquisition functions. It features an icon-based graphical programming interface, a VBA-compatible scripting language, and an Excel-like report generator.

With ActiveDAQ controls, you can develop your DAQ application with your favorite programming tool, no matter if it is Visual Basic, Visual C++, Delphi, C++ Builder, Access or Excel. LabVIEW and HP VEE are also applicable. In addition, ActiveDAQ also provides another collection of easy-to-use Visual Basic data acquisition controls for DAS cards.

Advantech GeniDAQ

GeniDAQ is a Windows-based software development package for data acquisition, control, analysis and presentation. In addition to these typical HMI functions, GeniDAQ is further enhanced with a Visual Basic programming environment to facilitate rapid design of complex applications that involve lengthy calculation and analysis. With Visual Basic programming environment, customizing an application system for special purposes becomes a piece of cake. The new 32-bit version of GeniDAQ supports the PCI-1711/1731 card.

Register-level Programming

Register-level programming is reserved for experienced programmers who find it necessary to write codes directly at the level of device registers. Since register-level programming requires much effort and time, we recommend that you use the Advantech DLL drivers instead. However, if register-level programming is indispensable, you should refer to the relevant information in Appendix C, Register Structure and Format, or to the example codes included on the companion CD-ROM.

LabVIEW Driver

Advantech even provides users with a driver for National Instruments LabVIEW. This 32-bit LabVIEW driver is compatible with Windows 95/98 and Windows NT 4.0, offering both high-speed and normal-speed data acquisition capabilities to your card.

4.2 DLL Driver Programming Roadmap

This section will provide you a roadmap to demonstrate how to build an application from scratch using Advantech DLL driver with your favorite development tools such as Visual C++, Visual Basic, Delphi and C++ Builder. The step-by-step instructions on how to build your own applications using each development tool will be given in the *DLL Drivers Manual*. Moreover, a rich set of example source codes are also given for your reference.

Programming Tools

Programmers can develop application programs with their favorite development tools:

- Visual C++
- Visual Basic
- Delphi
- C++ Builder

For instructions on how to begin programming works in each development tool, Advantech offers a *Tutorial* Chapter in the *DLL Drivers Manual* for your reference. Please refer to the corresponding sections in this chapter on the *DLL Drivers Manual* to begin your programming efforts. You can also take a look at the example source codes provided for each programming tool, since they can get you very well-oriented.

The *DLL Drivers Manual* can be found on the companion CD-ROM. Or if you have already installed the DLL Drivers on your system, The *DLL Drivers Manual* can be readily accessed through the **Start** button:

Start/Programs/Advantech Driver for 95 and 98 (or for NT)/Driver Manual

The example source codes could be found under the corresponding installation folder such as the default installation path:

\\Program Files\\Advantech\\ADSAPI\\Examples

For information about using other function groups or other development tools, please refer to the *Creating Windows 95/NT Application with DLL Driver* chapter and the *Function Overview* chapter on the *DLL Drivers Manual*.

Programming with DLL Driver Function Library

Advantech DLL driver offers a rich function library to be utilized in various application programs. This function library consists of numerous APIs that support many development tools, such as Visual C++, Visual Basic, Delphi and C++ Builder.

According to their specific functions or services, those APIs can be categorized into several function groups:

- Analog Input Function Group
- Analog Output Function Group
- Digital Input/Output Function Group
- Counter Function Group
- Temperature Measurement Function Group
- Alarm Function Group
- Port Function Group
- Communication Function Group
- Event Function Group

For the usage and parameters of each function, please refer to the *Function Overview* chapter in the *DLL Drivers Manual*.

Troubleshooting DLL Driver Error

Driver functions will return a status code when they are called to perform a certain task for the application. When a function returns a code that is not zero, it means the function has failed to perform its designated function. To troubleshoot the DLL driver error, you can pass the error code to **DRV_GetErrorMessage** function to return the error message. Or you can refer to the *DLL Driver Error Codes* Appendix in the *DLL Drivers Manual* for a detailed listing of the Error Code, Error ID and the Error Message.

5. Calibration

This chapter offers you a brief guide to the calibration programs.

Regular calibration checks are important to maintain accuracy in *data acquisition and control* applications. Three calibration programs are included on the companion CD-ROM :

ADCAL.EXE **A/D calibration program**

DACAL.EXE **D/A calibration program** (Only for PCI-1711)

SELFAL.EXE **A/D self-calibration program** (Only for PCI-1711)

Those calibration programs are designed only for DOS environment. You can access these programs by the default installation path:

C:\Program Files\Advantech\Adsapi\Utility\PCI1711

Note:

- ✎ If you installed the program to another directory, you can find these programs in the corresponding subfolders in your destination directory.

These calibration programs make calibration an easy job. With a variety of prompts and graphic displays, these programs will lead you through the calibration and setup procedures, showing you all the correct settings and adjustments.

To perform a satisfactory calibration, you will need a 4½-digit digital multi-meter and a voltage calibrator or a stable, noise-free D. C. voltage source.

5.1 VR Assignment

There are four variable resistors (VRs) on the PCI-1711 card and two variable resistors (VRs) on the PCI-1731 card. These variable resistors are to facilitate accurate adjustments for all A/D and D/A channels.

Please refer to the following two figures for the VR positions.

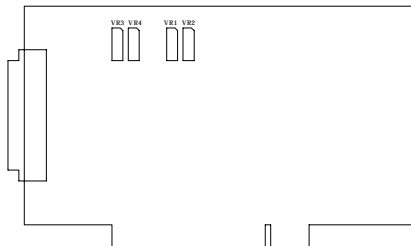


Fig. 5-1 PCI-1711 VR assignment

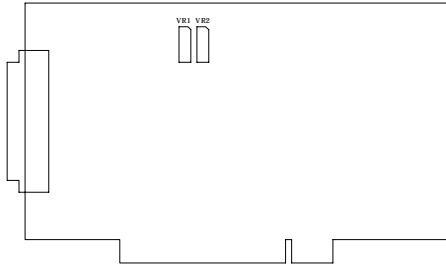


Fig. 5-2 PCI-1731 VR assignment

The following list shows the function of each VR :

VR	Function
VR1	A/D bipolar offset adjustment
VR2	A/D full scale (gain) adjustment
VR3	D/A channel 0 full scale adjustment
VR4	D/A channel 1 full scale adjustment

5.2 A/D Calibration

Regular and accurate calibration procedures ensure the maximum possible accuracy. The A/D calibration program ADCAL.EXE leads you through the whole A/D offset and gain adjustment procedure. The basic steps are outlined below:

1. Connect a DC voltage source of +9.995 V to AI0.
2. Connect AGND to AI1, AI2, AI3, AI4 and AI5.
3. Run the ADCAL.EXE program.
4. Adjust VR2 until the output codes from the card's AI0 are focused on FFE (at least 70%), and adjust VR1 until the output codes from the card's AI1, AI2, AI3, AI4 and AI5 are focused on 7FF (at least 70%).
5. Press the **SPACE** key to finish A/D calibration.

5.3 D/A Calibration

The D/A calibration program DACAL.EXE leads you through the whole D/A calibration procedure.

You can select the on-board -5V or -10V *internal reference voltage* or an *external voltage* as your analog output reference voltage. If you use an external reference, connect a reference voltage within the range

of $\pm 10V$ to the reference input of the D/A output channel you want to calibrate. Adjust the full scale of D/A channel 0 and 1, with VR3 and VR4 respectively.

Note:

- ✎ Using a precision voltmeter to calibrate the D/A outputs is recommended.
-

You can adjust VR3 and VR4 until the D/A channel 0 and 1 output voltages approach the reference voltage (at least 1LSB), but with the reverse sign. For example, if V_{ref} is $-5V$, then V_{out} should be $+5V$. If V_{ref} is $-10V$, V_{out} should be $+10V$.

5.4 Self A/D Calibration

We know, in most cases, it is difficult to find a good enough DC voltage source for A/D calibration. We provide a self-adjusted A/D calibration program “SELFCAL.EXE” to help solve this problem. The steps of self-calibration are outlined as below:

1. Connect DA0_OUT to AI0.
2. Connect AGND to AI1, AI2, AI3, AI4 and AI5.
3. Run the SELFCAL.EXE program.
4. First calibrate the D/A channel. Adjust VR3 until the DA0_OUT output voltage approaches $+10V$. Then press the **SPACE** key.
5. Next we will do the A/D calibration. Now the DA0_OUT output voltage will be $+9.995V$, then adjust VR2 until the output codes from the card's AI0 focused on FFE (at least 70%) and adjust VR1 until the output codes from the card's AI1, AI2, AI3, AI4 and AI5 focused on 7FF (at least 70%).
6. Press the **SPACE** key to finish calibration procedures.

Specifications

Analog Input

Channels	16 single-ended					
Resolution	12-bit					
FIFO Size	1K samples					
Max. Sampling Rate	100 kHz					
Conversion Time	10 μ s					
Input range and Gain List	Gain	1	2	4	8	16
	Input	$\pm 10V$	$\pm 5V$	$\pm 2.5V$	$\pm 1.25V$	$\pm 0.625V$
Gain error	% FSR	0.1	0.1	0.2	0.2	0.4
Drift (ppm/°C)	Gain	1	2	4	8	16
	Zero	15	15	15	15	15
	Gain	25	25	25	30	40
Small Signal Bandwidth for PGA	Gain	1	2	4	8	16
	Bandwidth	4.0 MHz	2.0 MHz	1.5 MHz	0.65MHz	0.35MHz
Max. Input Overvoltage	$\pm 15V$					
Input Protect	70 Vp-p					
Input Impedance	2 M Ω /5pF					
Trigger Mode	Software, on-board programmable pacer or external					
Accuracy	DC	INL: ± 0.5 LSB				
		Monotonicity: 12 bits				
		Offset error: Adjustable to zero				
	AC	SNR: 68 dB				
		ENOB: 11 bits				

Analog Output Only for PCI-1711

Channels	2	
Resolution	12-bit	
Output Range (Internal & External Reference)	Internal Reference	0 ~ +5 V, 0 ~ +10 V
	External Reference	0 ~ +x V@ -x V (-10 \leq x \leq 10)
Accuracy	Relative	$\pm 1/2$ LSB
	Differential Non-linearity	$\pm 1/2$ LSB
Gain Error	Adjustable to zero	
Slew Rate	11V/ μ s	
Drift	40 ppm/°C	
Driving Capability	3mA	
Throughput	38 kHz (min.)	
Output Impedance	0.81 Ω	
Settling Time	26 μ s (to $\pm 1/2$ LSB of FSR)	
Reference Voltage	Internal	-5V or -10V
	External	-10V ~ +10V

Digital Input / Output

Input Channels	16	
Input Voltage	Low	0.8 V max.
	High	2.0 V min.
Output Channels	16	
Output Voltage	Low	0.8 V max. @ 8.0 mA (sink)
	High	2.0 V min. @ -0.4 mA (source).

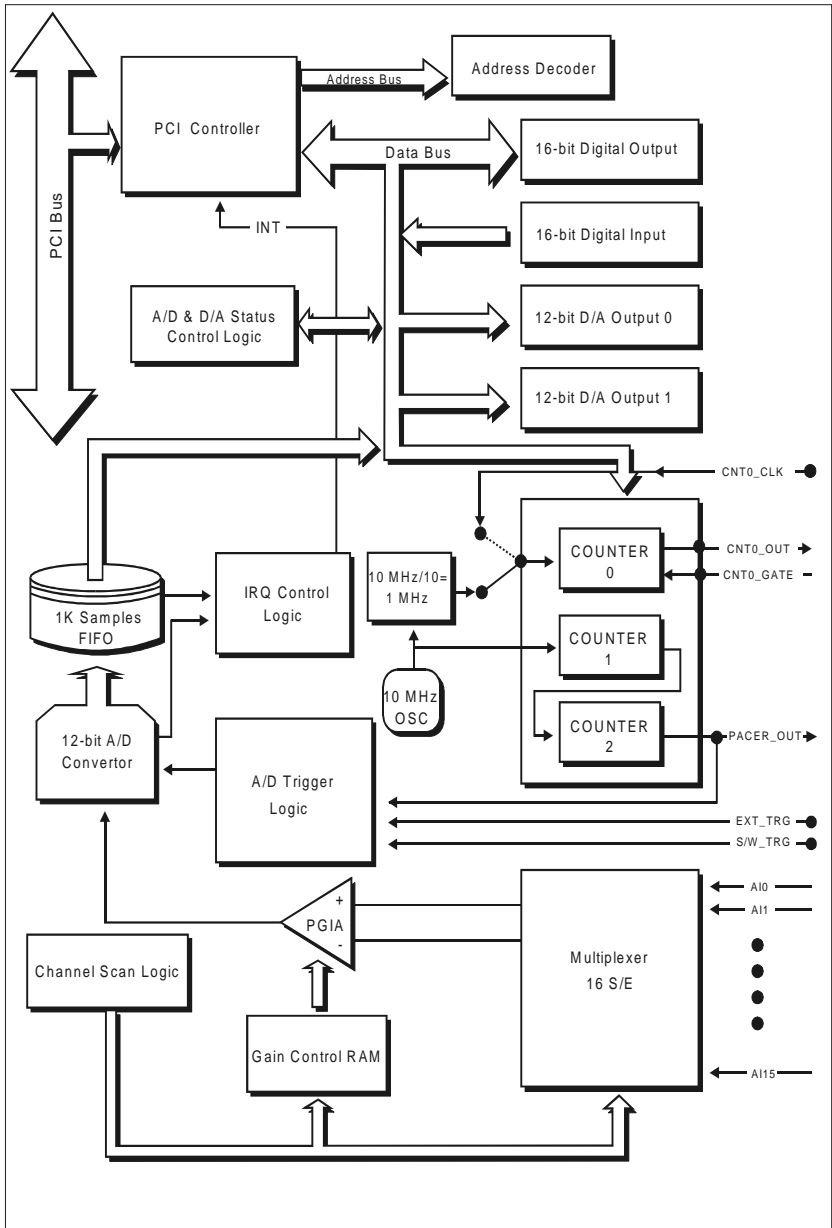
Programmable Counter / Timer

Channels	1	
Resolution	16-bit	
Compatibility	TTL level	
Base Clock	10 MHz	
Base Clock Accuracy	100 ppm	
Max. Input Frequency	10 MHz	
Input Level H/L	VIH	2.0 (min.)
	VIL	0.8 V (max.)
Input Clock	TPWH (high pulse width)	30 ns (min.)
	TPWL (low pulse width)	40 ns (min.)
Clock Out	IOH: -2.5 mA IOL: +2.5 mA	(VOH: 3.0V Min.) (VOL: 0.4V Max.)
Gate Input	TGW (gate width high)	50 ns (min.)
	TGL (gate width low)	50 ns (min.)

General

I/O Connector Type	68-pin SCSI-II female		
Dimensions	175 mm x 100 mm (6.9" x 3.9")		
Power Consumption	Typical	PCI-1711	PCI-1731
		+5 V @ 850 mA	+5 V @ 700 mA
	Max.	+5 V @ 1.0 A	
Temperature	Operation	0~+60°C(32~140°F) (refer to IEC 68-2-1,2)	
	Storage	-20~+70°C(-4~158°F)	
Relative Humidity	5~95%RH non-condensing (refer to IEC 68-2-3)		

Block Diagram



Register Structure and Format

C.1 Overview

The PCI-1711/1731 is delivered with an easy-to-use 32-bit DLL driver for user programming under the Windows 95/98/NT operating system. We advise users to program the PCI-1711/1731 using the 32-bit DLL driver provided by Advantech to avoid the complexity of low-level programming by register.

The most important consideration in programming the PCI-1711/1731 at the register level is to understand the function of the card's registers. The information in the following sections is provided only for users who would like to do their own low-level programming.

C.2 I/O Port Address Map

The PCI-1711/1731 requires 32 consecutive addresses in the PC's I/O space. The address of each register is specified as an offset from the card's base address. For example, BASE+0 is the card's base address and BASE+7 is the base address plus seven bytes.

The table C-1 shows the function of each register or driver and its address relative to the card's base address.

Table C-1 PCI-1711/1731 register format (Part 1)

Base Address + decimal	Read							
	7	6	5	4	3	2	1	0
	Channel Number and A/D Data							
1	CH3	CH2	CH1	CH0	AD11	AD10	AD9	AD8
0	AD7	AD6	AD5	AD4	AD3	AD2	AD1	AD0
	N/A							
3								
2								
	N/A							
5								
4								
	Status Register							
7					IRQ	F/F	F/H	F/E
6		CNT0	ONE/FH	IRQEN	GATE	EXT	PACER	SW
	N/A							
9								
8								
	N/A							
11								
10								
	N/A							
13								
12								

Table C-1 PCI-1711/1731 register format (Part 2)

Base Address + decimal	Read							
	7	6	5	4	3	2	1	0
	N/A							
15								
14								
	Digital Input							
17	DI15	DI14	DI13	DI12	DI11	DI10	DI9	DI8
16	DI7	DI6	DI5	DI4	DI3	DI2	DI1	DI0
	Counter 0							
25								
24								
	Counter 1							
27								
26								
	Counter 2							
29								
28								
	N/A							
31								
30								

Table C-1 PCI-1711/1731 register format (Part 3)

Base Address + decimal	Write							
	7	6	5	4	3	2	1	0
	Software A/D Trigger							
1								
0								
	A/D Channel Range Setting							
3								
2						G2	G1	G0
	MUX Control							
5					Stop channel			
4					Start channel			
	Control Register							
7								
6		CNT0	ONE/FH	IRQEN	GATE	EXT	PACER	SW
	Clear Interrupt and FIFO							
9	clear FIFO							
8	clear interrupt							
	D/A Output Channel 0							
11					DA11	DA10	DA9	DA8
10	DA7	DA6	DA5	DA4	DA3	DA2	DA1	DA0
	D/A Output Channel 1							
13					DA11	DA10	DA9	DA8
12	DA7	DA6	DA5	DA4	DA3	DA2	DA1	DA0

Table C-1 PCI-1711/1731 register format (Part 4)

Base Address + decimal	Write							
	7	6	5	4	3	2	1	0
	D/A Reference Control							
15								
14					DA1_1E	DA1_5/10	DA0_1E	DA0_5/10
	Digital Output							
17	DO15	DO14	DO13	DO12	DO11	DO10	DO9	DO8
16	DO7	DO6	DO5	DO4	DO3	DO2	DO1	DO0
	Counter 0							
25								
24	D7	D6	D5	D4	D3	D2	D1	D0
	Counter 1							
27								
26	D7	D6	D5	D4	D3	D2	D1	D0
	Counter 2							
29								
28	D7	D6	D5	D4	D3	D2	D1	D0
	Counter Control							
31								
30	D7	D6	D5	D4	D3	D2	D1	D0

C.3 Channel Number and A/D Data — BASE+0 and BASE+1

BASE+0 and **BASE+1** hold the result of A/D conversion data.

The 12 bits of data from the A/D conversion are stored in BASE+1 bit 3 to bit 0 and BASE+0 bit 7 to bit 0. BASE+1 bit 7 to bit 4 hold the source A/D channel number.

Table C-2 Register for channel number and A/D data

Read	Channel Number and A/D Data							
Bit #	7	6	5	4	3	2	1	0
BASE+1	CH3	CH2	CH1	CH0	AD11	AD10	AD9	AD8
BASE+0	AD7	AD6	AD5	AD4	AD3	AD2	AD1	AD0

AD11 ~ AD0 Result of A/D Conversion

AD0 the least significant bit (LSB) of A/D data

AD11 the most significant bit (MSB)

CH3 ~ CH0 A/D Channel Number

CH3 ~ CH0 hold the number of the A/D channel from which the data is received

CH3: MSB

CH0 :LSB

C.4 Software A/D Trigger — BASE+0

You can trigger an A/D conversion by software, the card's on-board pacer or an external pulse.

BASE+6, Bit 2 to bit 0, select the trigger source.

(see Section C.7, Control Register -- BASE+6)

If you select software triggering, a write to the register **BASE+0** with any value will trigger an A/D conversion.

C.5 A/D Channel Range Setting — BASE+2

Each A/D channel has its own input range, controlled by a gain code stored in the on-board RAM.

To change the range code for a channel:

- Write the same channel in **BASE+4** (the start channel) and **BASE+5** (the stop channel) (refer to Section C.6).
- write the gain code to **BASE+2** bit 0 to bit 2.

Table C-3 Register for A/D channel range setting

Write	A/D channel range setting							
Bit #	7	6	5	4	3	2	1	0
BASE+2						G2	G1	G0

where **G2 to G0** are Gain Codes and table C-4 lists the gain codes for the PCI-1711/1731.

Table C-4 Gain codes for PCI-1711/1731

PCI-1711/1731				
Gain	Input Range(V)	Gain Code		
		G2	G1	G0
1	-10 to +10	0	0	0
2	-5 to +5	0	0	1
4	-2.5 to +2.5	0	1	0
8	-1.25 to +1.25	0	1	1
16	-0.625 to +0.625	1	0	0

Example: To set channel 3 as gain=1

1. Write channel 3 to BASE+4 as 00000011.
2. Write channel 3 to BASE+5 as 00000011.
3. Refer to the gain code list, write gain=1 to BASE+2 as 00000000.

C.6 MUX Control — BASE+4 and BASE+5

Table C-5 Register for multiplexer control

Write	MUX Control							
Bit #	7	6	5	4	3	2	1	0
BASE+5					CH3	CH2	CH1	CH0
BASE+4					CL3	CL2	CL1	CL0

CL3 ~ CL0 Start Scan Channel Number

CH3 ~ CH0 Stop Scan Channel Number

- When you set the gain code of analog input channel n, you should set the MUX start&stop channel number to channel n to prevent any unexpected errors. In fact **BASE+4 bit 3 to bit 0, CL3 ~ CL0**, act as a pointer to channel n's address in the SRAM when you program the A/D channel setting (*refer to Section C.5*).

Caution!

We recommend you set the same start and stop channel when writing to the register BASE+2. Otherwise, if the A/D trigger source is on, the multiplexer will continuously scan between channels and the range setting may be set to an unexpected channel. Make sure the A/D trigger source is turned off to avoid this kind of error.

The write-only registers of BASE +4 and BASE+5 control how the multiplexers (MUXs) scan.

- **BASE+4 bit 3 to bit 0, CL3 ~ CL0**, hold the start scan channel number.
- **BASE+5 bit 3 to bit 0, CH3 ~ CH0**, hold the stop scan channel number.

Writing to these two registers automatically initializes the scan range of the MUXs. Each A/D conversion trigger also sets the MUXs to the next channel. With continuous triggering, the MUXs will scan from the start channel to the stop channel and then repeat. The following examples show the scan sequences of the MUXs.

Example 1

If the start scan input channel is AI3 and the stop scan input channel is AI7, then the scan sequence is AI3, AI4, AI5, AI6, AI7, AI3, AI4, AI5, AI6, AI7, AI3, AI4...

Example 2

If the start scan channel is AI13 and the stop scan channel is AI2, then the scan sequence is AI13, AI14, AI15, AI0, AI1, AI2, AI13, AI14, AI15, AI0, AI1, AI2, AI13, AI14...

C.7 Status Register — BASE+6 and BASE+7

The registers of BASE+6 and BASE+7 provide information for A/D configuration and operation.

Table C-7 Status Register

Write	Control Register							
Bit #	7	6	5	4	3	2	1	0
BASE + 6		CNT0	ONE/FH	IRQEN	GATE	EXT	PACER	SW

The content of the status register of BASE+6 is the same as that of the control register.

F/E **FIFO Empty flag**

This bit indicates whether the FIFO is empty.

1 means that the FIFO is empty.

F/H **FIFO Half-full flag**

This bit indicates whether the FIFO is half-full.

1 means that the FIFO is half-full.

F/F **FIFO Full flag**

This bit indicates whether the FIFO is full.

1 means that the FIFO is full.

IRQ **Interrupt flag**

This bit indicates the interrupt status.

1 means that an interrupt has occurred.

C.8 Control Register — BASE+6

The write-only register BASE+6 allows users to set an A/D trigger source and an interrupt source.

Table Control Register

Read	Status Register							
Bit #	7	6	5	4	3	2	1	0
BASE+7					IRQ	F/F	F/H	F/E
BASE+6		CNT0	ONE/FH	IRQEN	GATE	EXT	PACER	SW

- SW** Software trigger enable bit
1 enable; 0 disable.
- PACER** Pacer trigger enable bit
1 enable; 0 disable.
- EXT** External trigger enable bit
1 enable; 0 disable.

Note!

⚠ Users cannot enable SW, PACER and EXT concurrently.

- GATE** External trigger gate function enable bit
1 enable; 0 disable.
- IRQEN** Interrupt enable bit
1 enable; 0 disable.
- ONE/FH** Interrupt source bit
0 interrupt when an A/D conversion occurs
1 interrupt when the FIFO is half full.
- CNT0** Counter 0 clock source select bit
0 the clock source of Counter 0 comes from the internal clock (1 MHz)
1 the clock source of Counter 0 comes from the external clock (maximum up to 10 MHz).

C.9 Clear Interrupt and FIFO — BASE+8 and BASE+9

Writing data to either of these two bytes clears the interrupt or the FIFO.

Table C-8 Register to clear interrupt and FIFO

Write	Clear Interrupt and FIFO							
Bit #	7	6	5	4	3	2	1	0
BASE+9	Clear FIFO							
BASE+8	Clear Interrupt							

C.10 D/A Output Channel 0 — BASE+10 and BASE+11

The write-only registers of BASE+10 and BASE+11 accept data for D/A Channel 0 output.

PCI-1731

The PCI-1731 is not equipped with the D/A functions.

PCI-1711

Table C-9 Register for D/A channel 0 data

Write	D/A Output Channel 0							
Bit #	7	6	5	4	3	2	1	0
BASE+11					DA11	DA10	DA9	DA8
BASE+10	DA7	DA6	DA5	DA4	DA3	DA2	DA1	DA0

DA11 ~ DA0 Digital to analog data

DA0 LSB of the D/A data

DA11 MSB of the D/A data

C.11 D/A Output Channel 1 — BASE+12 and BASE+13

The write-only registers of BASE+12 and BASE+13 accept data for D/A channel 1 output.

PCI-1731

The PCI-1731 is not equipped with the D/A functions.

PCI-1711

Table C-10 Register for D/A channel 1 data

Write	D/A Output Channel 1							
Bit #	7	6	5	4	3	2	1	0
BASE+13					DA11	DA10	DA9	DA8
BASE+12	DA7	DA6	DA5	DA4	DA3	DA2	DA1	DA0

DA11 ~ DA0

Digital to analog data

DA0 the LSB of the D/A data

DA11 the MSB of the D/A data

C.12 D/A Reference Control —BASE+14

The write-only register of BASE+14 allows users to set the D/A reference source.

PCI-1731

The PCI-1731 is not equipped with the D/A functions.

PCI-1711

Table C-11 Register for D/A reference control

Write	D/A Reference Control							
Bit #	7	6	5	4	3	2	1	0
BASE+15								
BASE+14					DA1_I/E	DA1_5/10	DA0_I/E	DA0_5/10

DA0_5/10 The internal reference voltage for the D/A output channel 0

0 - 5 V

1 - 10 V

DA0_I/E Internal or external reference voltage for D/A output channel 0

0 internal source

1 external source

DA1_5/10 The internal reference voltage for D/A output channel 1

0 - 5 V

1 - 10 V

DA1_I/E Internal or external reference voltage for D/A output channel 1

0 internal source

1 external source

C.13 Digital I/O Registers — BASE+16 and BASE+17

The PCI-1711/1731 offers 16 digital input channels and 16 digital output channels. These I/O channels use the input and output ports at addresses BASE+16 and BASE+17.

Table C-12 Register for digital input

Read	Digital Input							
Bit #	7	6	5	4	3	2	1	0
BASE+17	DI15	DI14	DI13	DI12	DI11	DI10	DI9	DI8
BASE+16	DI7	DI6	DI5	DI4	DI3	DI2	DI1	DI0

Table C-13 Register for digital output

Write	Digital Output							
Bit #	7	6	5	4	3	2	1	0
BASE+17	DO15	DO14	DO13	DO12	DO11	DO10	DO9	DO8
BASE+16	DO7	DO6	DO5	DO4	DO3	DO2	DO1	DO0

Note!

- ⚡ The default configuration of the digital output channels is a logic 0. This avoids damaging external devices during system start-up or reset since the power on status is set to the default value.

C.14 Programmable Timer/Counter Registers BASE+24, BASE+26, BASE+28 and BASE+30

The four registers of BASE+24, BASE+26, BASE+28 and BASE+30 are used for the 82C54 programmable timer/counter. Please refer to Appendix D 82C54 Counter Chip Functions for detailed application information.

Note!

- ⚡ Users have to use a 16-bit (word) command to read/write each register.

82C54 Counter Function

D.1 The Intel 82C54

The PCI-1711/1731 uses one Intel 82C54 compatible programmable interval timer/counter chip. The popular 82C54 offers three independent 16-bit counters, counter 0, counter 1 and counter 2. Each counter has a clock input, control gate and an output. You can program each counter for maximum count values from 2 to 65535.

The 82C54 has a maximum input clock frequency of 10 MHz. The PCI-1711/1731 provides 10 MHz input frequencies to the counter chip from an on-board crystal oscillator.

Counter 0

On the PCI-1711/1731, counter 0 can be a 16-bit timer or an event counter, selectable by users. When the clock source is set as an internal source, counter 0 is a 16-bit timer; when set as an external source, then counter 0 is an event counter and the clock source comes from CNT0_CLK. The counter is controlled by CNT0_GATE. When CNT0_GATE input is high, counter 0 will begin to count.

Counter 1 & 2

Counter 1 and counter 2 of the counter chip are cascaded to create a 32-bit timer for the pacer trigger. A low-to-high edge of counter 2 output (PACER_OUT) will trigger an A/D conversion. At the same time, you can use this signal as a synchronous signal for other applications.

D.2 Counter Read/Write and Control Registers

The 82C54 programmable interval timer uses four registers at addresses BASE + 24(Dec), BASE + 26(Dec), BASE + 28(Dec) and BASE + 30(Dec) for read, write and control of counter functions.

Register functions appear below:

Register	Function
BASE + 24(Dec)	Counter 0 read/write
BASE + 26(Dec)	Counter 1 read/write
BASE + 28(Dec)	Counter 2 read/write
BASE + 30(Dec)	Counter control word

Since the 82C54 counter uses a 16-bit structure, each section of read/write data is split into a least significant byte (LSB) and most significant byte (MSB). To avoid errors it is important that you make read/write operations in pairs and keep track of the byte order.

The data format for the control register is as below:

BASE+30(Dec) 82C54 control, standard mode								
Bit	D7	D6	D5	D4	D3	D2	D1	D0
Value	SC1	SC0	RW1	RW0	M2	M1	M0	BCD

Description:

SC1 & SC0 Select counter

Counter	SC1	SC0
0	0	0
1	0	1
2	1	0
Read-back command	1	1

RW1 & RW0 Select read/write operation

Operation	RW1	RW0
Counter latch	0	0
Read/write LSB	0	1
Read/write MSB	1	0
Read/write LSB first, then MSB	1	1

M2, M1 & M0 Select operating mode

M2	M1	M0	Mode	Description
0	0	0	0	Stop on terminal count
0	0	1	1	Programmable one shot
X	1	0	2	Rate generator
X	1	1	3	Square wave rate generator
1	0	0	4	Software triggered strobe
1	0	1	5	Hardware triggered strobe

BCD Select binary or BCD counting

BCD	Type
0	Binary counting 16-bits
1	Binary coded decimal (BCD) counting

If you set the module for binary counting, the count can be any number from 0 up to 65535. If you set it for BCD (Binary Coded Decimal) counting, the count can be any number from 0 to 9999.

If you set both SC1 and SC0 bits to 1, the counter control register is in read-back command mode. The control register data format then becomes:

BASE + 30(Dec) 82C54 control, read-back mode								
Bit	D7	D6	D5	D4	D3	D2	D1	D0
Value	1	1	CNT	STA	C2	C1	C0	X

CNT = 0 Latch count of selected counter(s)

STA = 0 Latch status of selected counter(s)

C2, C1 & C0 Select counter for a read-back operation

C2 = 1 select Counter 2

C1 = 1 select Counter 1

C0 = 1 select Counter 0

If you set both SC1 and SC0 to 1 and STA to 0, the register selected by C2 to C0 contains a byte which shows the status of the counter. The data format of the counter read/write register then becomes:

BASE+24/26/28(Dec) Status read-back mode								
Bit	D7	D6	D5	D4	D3	D2	D1	D0
Value	OUT	NC	RW1	RW0	M2	M1	M0	BCD

OUT Current state of counter output

NC Null count is 1 when the last count written to the counter register has been loaded into the counting element

D.3 Counter Operating Modes

MODE 0 – Stop on Terminal Count

The output will initially be low after you set this mode of operation. After you load the count into the selected count register, the output will remain low and the counter will count. When the counter reaches the terminal count, its output will go high and remain high until you reload it with the mode or a new count value. The counter continues to decrement after it reaches the terminal count. Rewriting a counter register during counting has the following results:

1. Writing to the first byte stops the current counting.

2. Writing to the second byte starts the new count.

MODE 1 – Programmable One-shot Pulse

The output is initially high. The output will go low on the count following the rising edge of the gate input. It will then go high on the terminal count. If you load a new count value while the output is low, the new value will not affect the duration of the one-shot pulse until the succeeding trigger. You can read the current count at any time without affecting the one-shot pulse. The one-shot is retriggerable, thus the output will remain low for the full count after any rising edge at the gate input.

MODE 2 – Rate Generator

The output will be low for one period of the input clock. The period from one output pulse to the next equals the number of input counts in the counter register. If you reload the counter register between output pulses, the present period will not be affected, but the subsequent period will reflect the value.

The gate input, when low, will force the output high. When the gate input goes high, the counter will start from the initial count. You can thus use the gate input to synchronize the counter.

With this mode the output will remain high until you load the count register. You can also synchronize the output by software.

MODE 3 – Square Wave Generator

This mode is similar to Mode 2, except that the output will remain high until one half of the count has been completed (for even numbers), and will go low for the other half of the count. This is accomplished by decreasing the counter by two on the falling edge of each clock pulse. When the counter reaches the terminal count, the state of the output is changed, the counter is reloaded with the full count and the whole process is repeated.

If the count is odd and the output is high, the first clock pulse (after the count is loaded) decrements the count by 1. Subsequent clock pulses decrement the count by 2. After time-out, the output goes low and the full count is reloaded. The first clock pulse (following the reload) decrements the counter by 3. Subsequent clock pulses decrement the count by two until time-out, then the whole process is repeated. In this way, if the count is odd, the output will be high for $(N+1)/2$ counts and low for $(N-1)/2$ counts.

MODE 4 – Software-Triggered Strobe

After the mode is set, the output will be high. When the count is loaded, the counter will begin counting. On terminal count, the output will go low for one input clock period then go high again.

If you reload the count register during counting, the new count will be loaded on the next CLK pulse. The count will be inhibited while the GATE input is low.

MODE 5 – Hardware-Triggered Strobe

The counter will start counting after the rising edge of the trigger input and will go low for one clock period when the terminal count is reached. The counter is retriggerable.

D.4 Counter Operations

Read/Write Operation

Before you write the initial count to each counter, you must first specify the read/write operation type, operating mode and counter type in the control byte and write the control byte to the control register [BASE + 30(Dec)].

Since the control byte register and all three counter read/write registers have separate addresses and each control byte specifies the counter it applies to (by SC1 and SC0), no instructions on the operating sequence are required. Any programming sequence following the 82C54 convention is acceptable.

There are three types of counter operation: Read/load LSB, read /load MSB and read /load LSB followed by MSB. It is important that you make your read/write operations in pairs and keep track of the byte order.

Counter Read-back Command

The 82C54 counter read-back command lets you check the count value, programmed mode and current states of the OUT pin and Null Count flag of the selected counter(s). You write this command to the control word register. Format is as shown at the beginning of this section.

The read-back command can latch multiple counter output latches. Simply set the CNT bit to 0 and select the desired counter(s). This single command is functionally equivalent to multiple counter latch commands, one for each counter latched.

The read-back command can also latch status information for selected counter(s) by setting STA bit = 0. The status must be latched to be read; the status of a counter is accessed by a read from that counter. The counter status format appears at the beginning of the chapter.

Counter Latch Operation

Users often want to read the value of a counter without disturbing the count in progress. You do this by latching the count value for the specific counter then reading the value.

The 82C54 supports the counter latch operation in two ways. The first way is to set bits RW1 and RW0 to 0. This latches the count of the selected counter in a 16-bit hold register. The second way is to perform a latch operation under the read-back command. Set bits SC1 and SC0 to 1 and CNT = 0. The second method has the advantage of operating several counters at the same time. A subsequent read operation on the selected counter will retrieve the latched value.